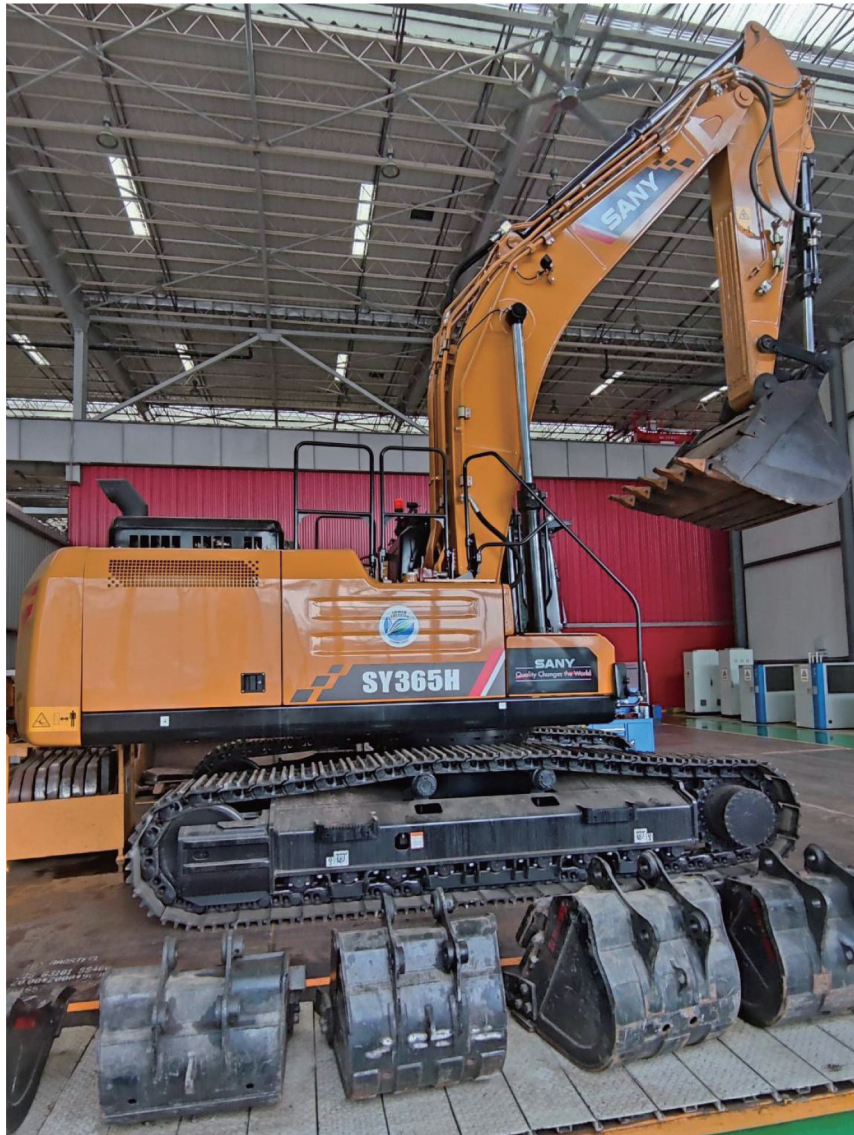


SANY

HYDRAULIC EXCAVATOR **SY365H (STAGE V)**

Engine **CUMMINS QSL9 Stage V**
Power **231 KM/2100 RPM**
Operating Weight **39000KG**
Ground Pressure **68KPA**



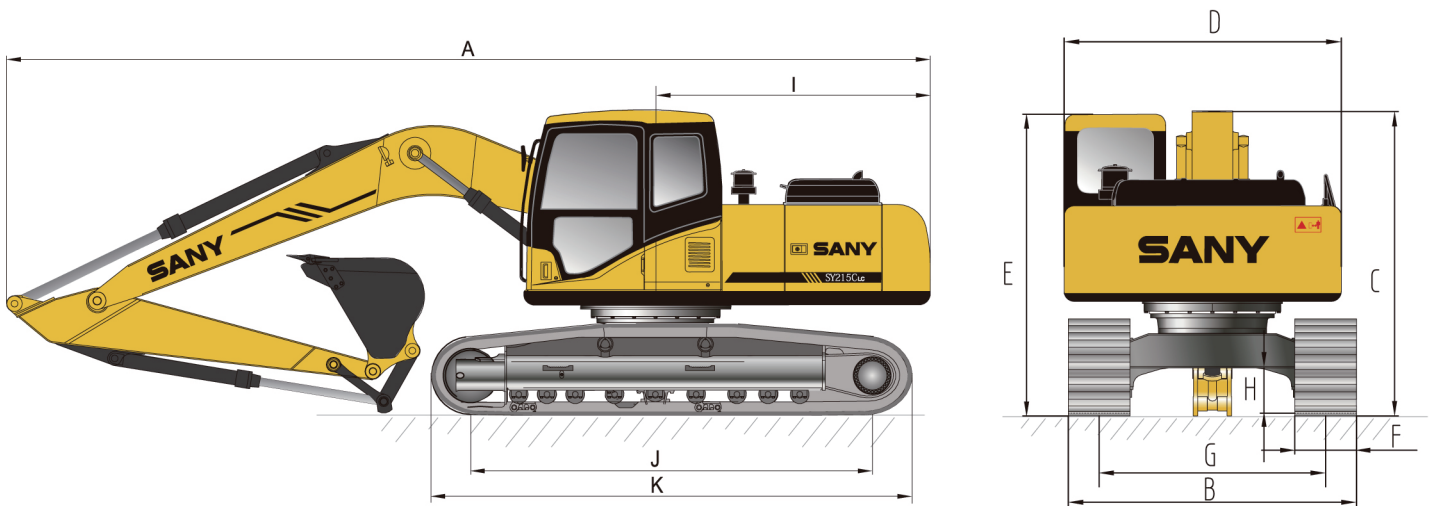
SANY

Quality Changes the World

Rated Power
314 hp/231 kw
Operating Weight
85980 lb/39000 kg

Dig Depth
24' /7337 mm
Bucket Breakout
52875 lbf/235KN

SY365H(STAGE V) DIMENSIONS & SPECIFICATIONS

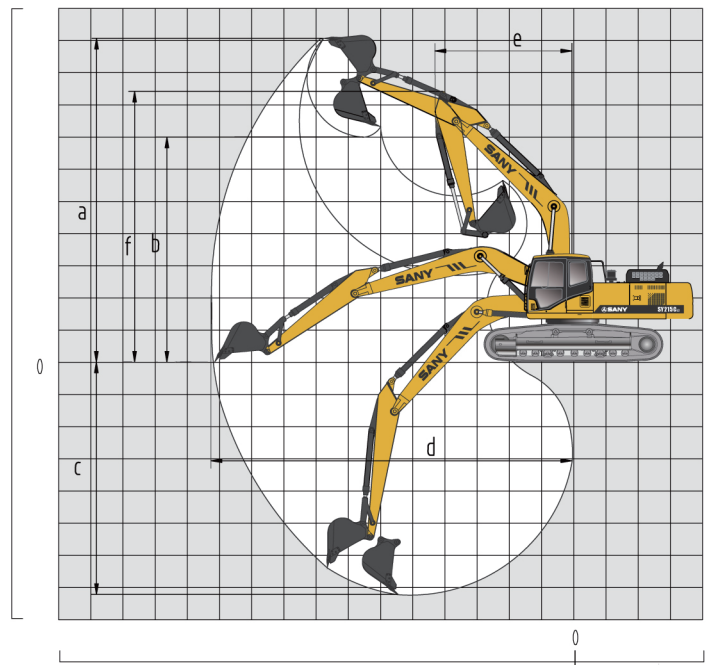


OVERALL DIMENSIONS

A. Transport Length	36' 6" (11137mm)
B. Transport Width	9' 9" (2990 mm)
C. Transport Height	12' 3" (3755 mm)
D. Upper Width	9' 9" (2986 mm)
E. Cab Height	11' 5" (3490 mm)
F. Track Shoe Width (standard)	2' (600 mm)
G. Track Gauge	7' 10" (2390 mm)
H. Minimum Ground Clearance	1' 9" (549.5mm)
I. Tail Swing Radius	11' 4" (3461 mm)
J. Length Center Idler to Center Sprocket	13' 7" (4140 mm)
K. Track Length	16' 7" (5068 mm)
Boom Length	21' 4" (6500 mm)
Arm Length (standard)	10' 6" (3200 mm)

MACHINE PARAMETERS

Operating Weight	85980 lb/39000 kg
Engine Type	Cummins QSL9 StageV
Engine Max Power (Gross)	314hp (231kw) @2100rpm
Engine Max Torque	1126 lbf-ft (1526 Nm) @ 1400 rpm
Engine Displacement	542 in (8.9 liter)
Main Pump Flow	2x 79gpm (720 lpm)
Swing Speed	8.8rpm
Travel Speed	3/5 km/h
Tractive Effort	71,938 lbf (320 kN)
Max Arm Digging Force (ISO)	38250 lbf/170KN
Number of Upper Rollers	2
Number of Lower Rollers	9
Fuel Tank Capacity	132 gal (600 liter)
DEF Tank Capacity	19 gal (85 liter)
Hydraulic Tank Capacity	101 gal (460 liter)
Cooling System Capacity	7.9 gal (36 liter)
Engine Oil Capacity	4.6 gal (21 liter)
Ground Pressure (23.6"/600mm shoes)	68 kPa



WORKING RANGE

a Maximum Digging Height	35' 2" (10723mm)
b Maximum Dumping Height	24' 3" (7396 mm)
c Maximum Digging Depth	24' (7337 mm)
d Maximum Digging Reach	35' 6" (10831mm)
e Minimum Swing Radius	13' 8" (4178 mm)
f Maximum Height at Minimum Swing Radius	29' 9" (9085 mm)